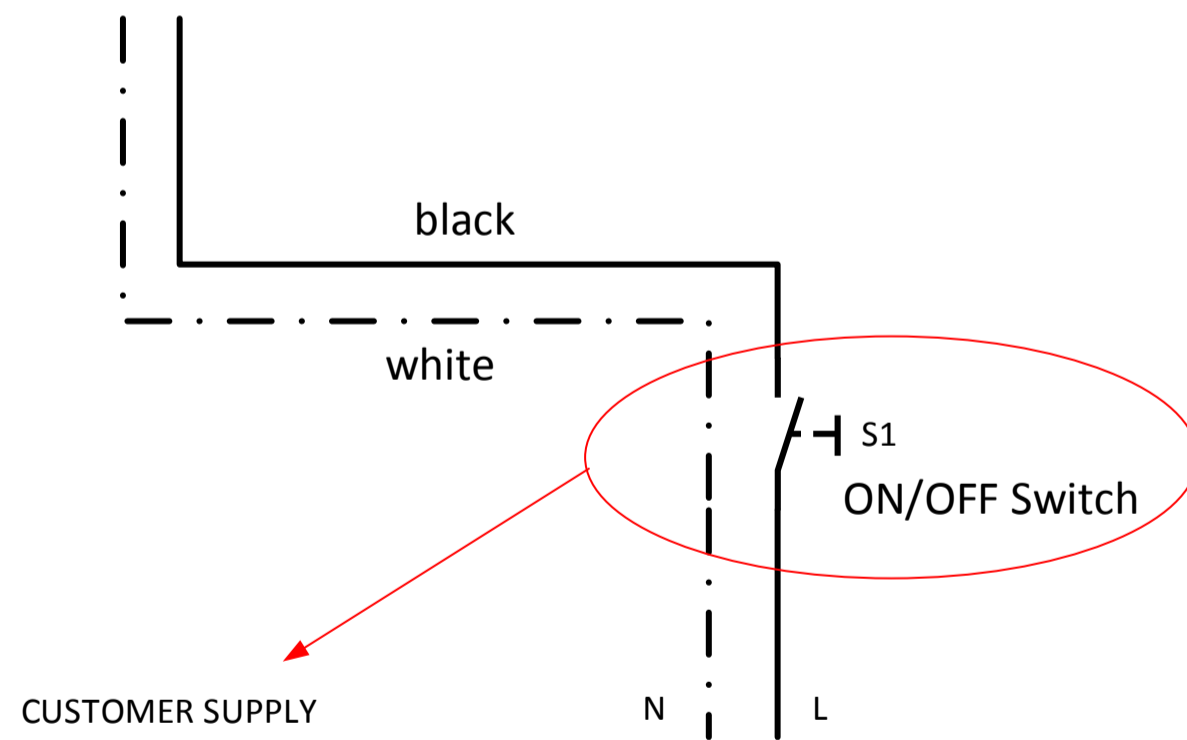
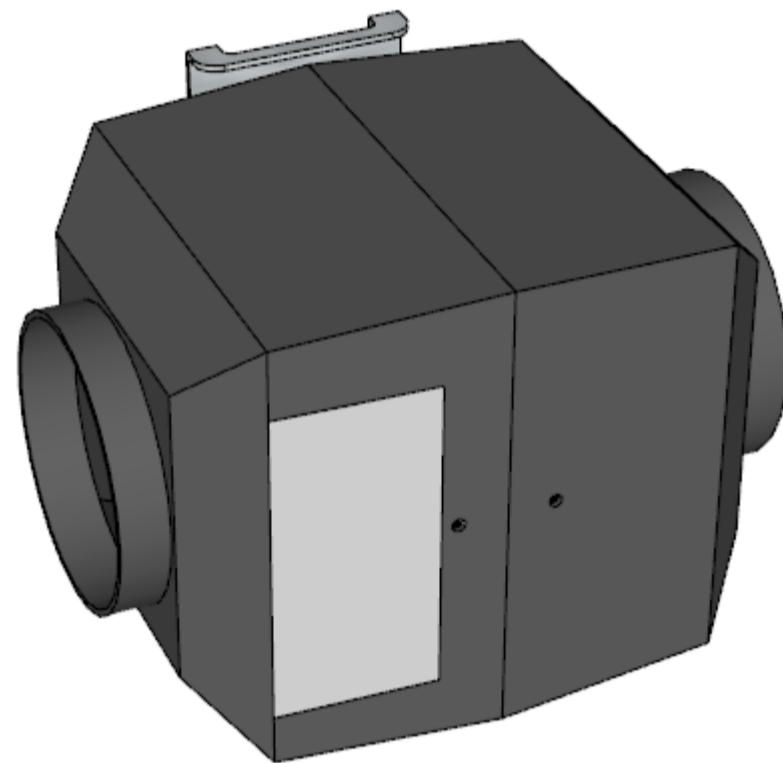


# SANITIZER COD. B8002000007 - ELECTRICAL SCHEME

## MANUAL ACTIVATION

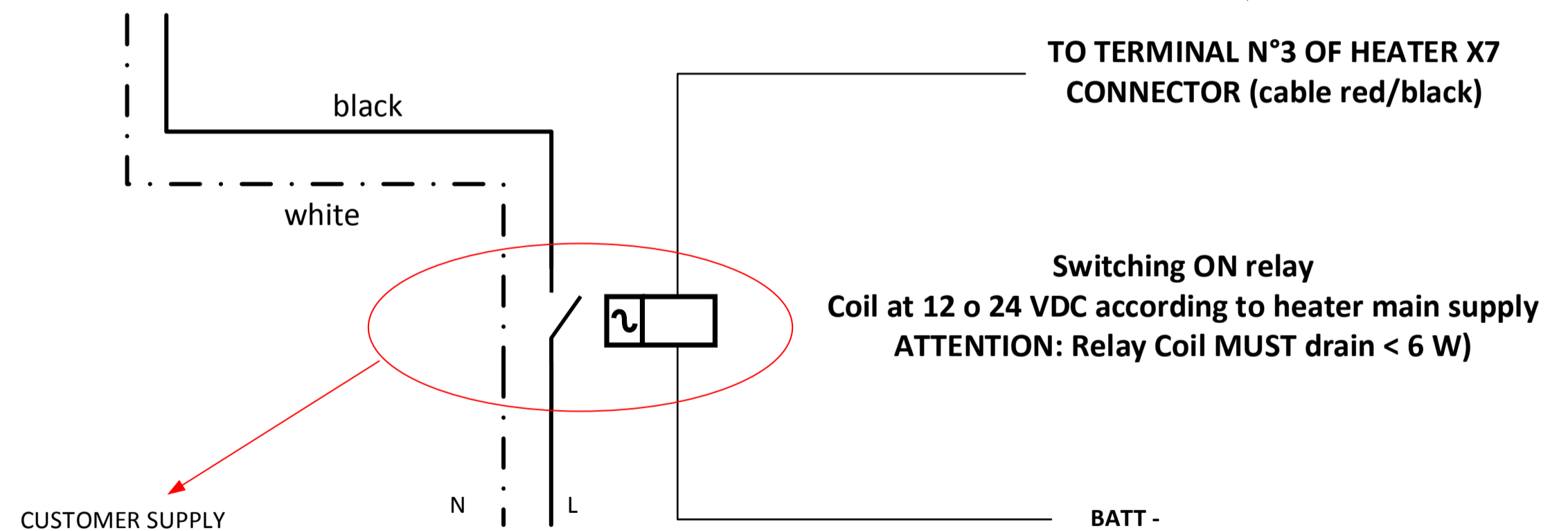
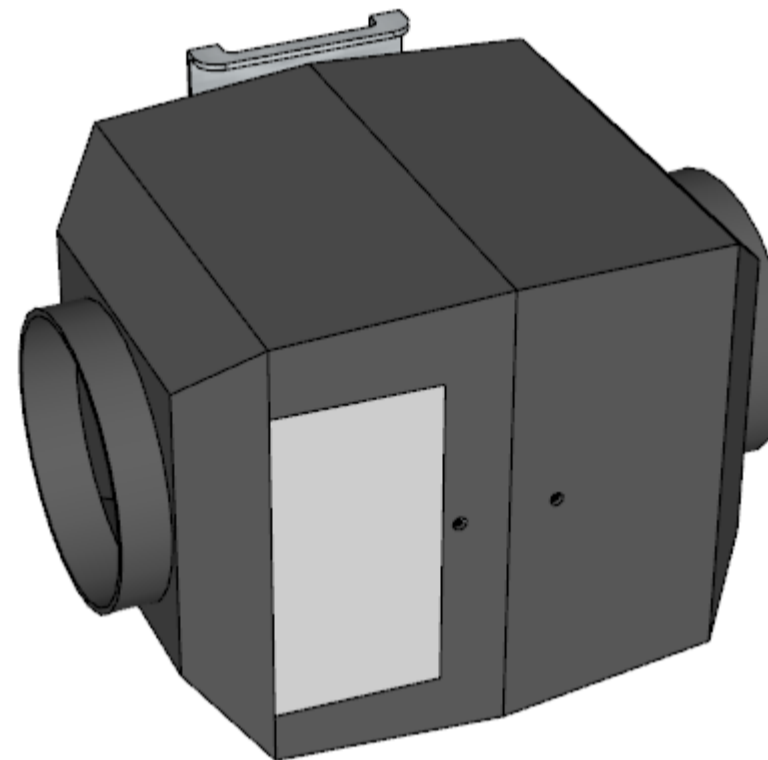
*Need to switch on air heater first*



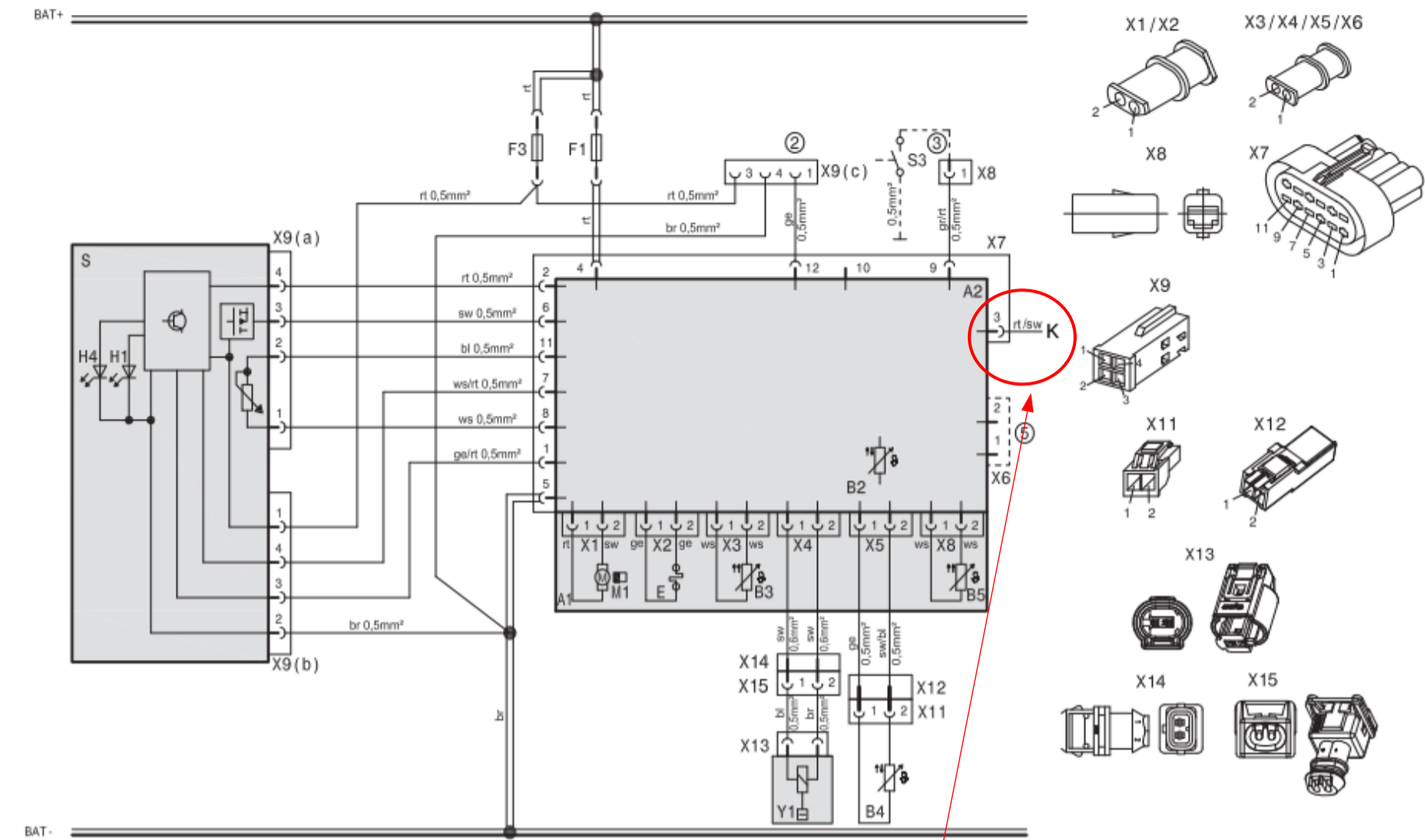
**MAIN SUPPLY 230/1/50-60**

## AUTOMATIC ACTIVATION

*Only AIRTOP EVO 40 e 55*



**MAIN SUPPLY 230/1/50-60**

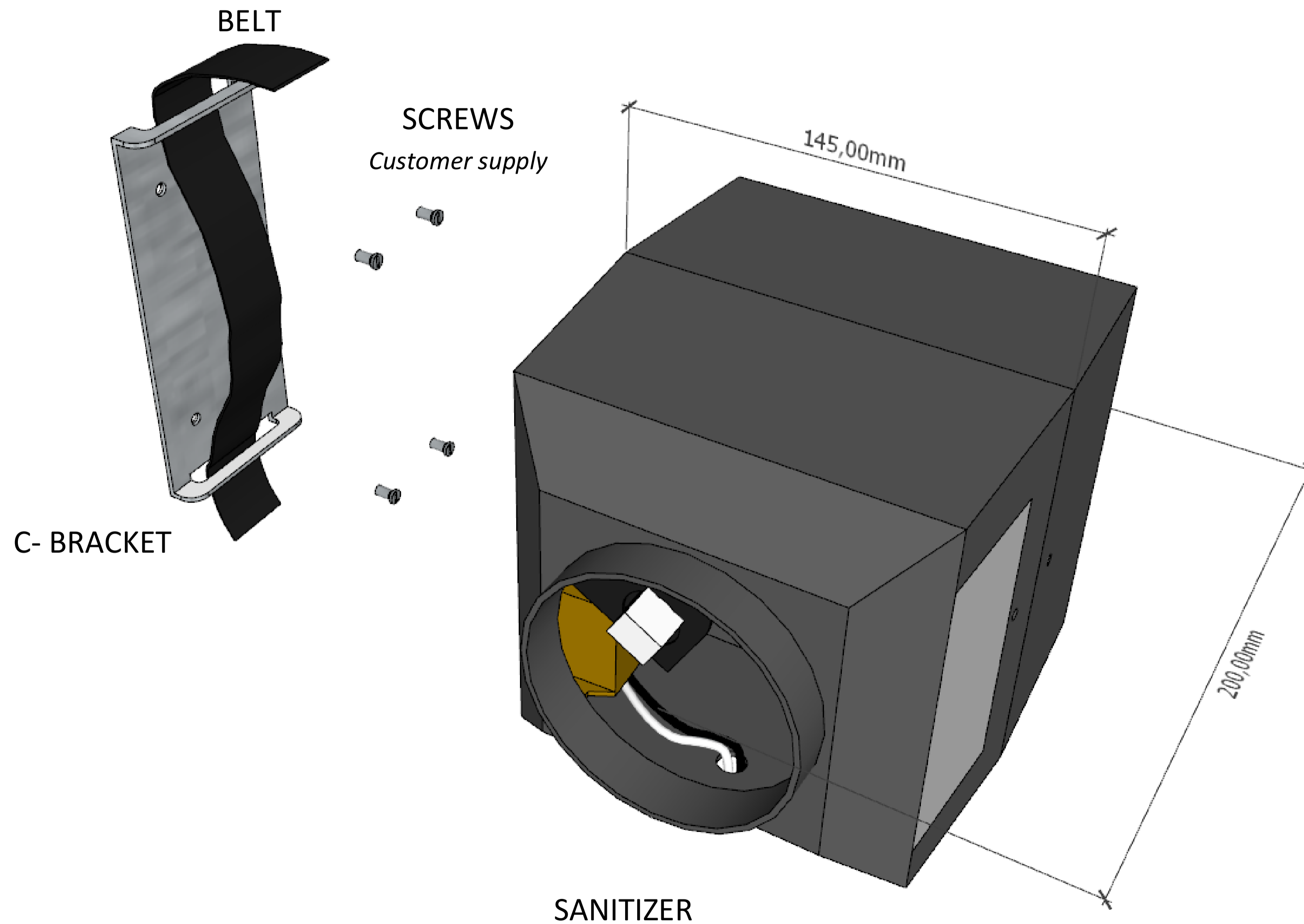


**TO TERMINAL N°3 OF HEATER X7  
CONNECTOR (cable red/black)**

**Switching ON relay  
Coil at 12 o 24 VDC according to heater main supply  
ATTENTION: Relay Coil MUST drain < 6 W)**

**SANITIZER ELECTRICAL POWER: 20 W**

# SANITIZER COD. B8002000007 - INSTALLATION SCHEME – FIXING THE SANITIZER



## PROCEDURE

- FIX THE BRACKET WITH 4 SCREWS
- INSERT THE BELT INTO THE SLOTS (As shown in the skematic)
- WRAP THE BELT AROUND THE SANITIZER AND TIGHTEN IT

# SANITIZER COD. B8002000007 - INSTALLATION SCHEME – COMPONENTS POSITION

